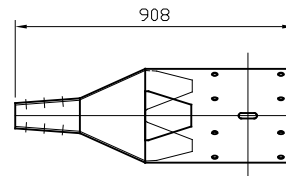


**WHERE CHEVRON DECAL AFFIXED,
CHEVRONS SHOULD BE POINTED
DOWNWARDS TOWARDS THE ROAD**



DETAIL 'C'
(SAFE-END CONNECTOR)
SCALE: 1:25

- GENERAL NOTES:
1. ALL DIMENSIONS IN MILLIMETRES UNLESS NOTED OTHERWISE.
 2. FOR INSTALLATION PROCEDURES REFER TO SAFEROAD MANUAL.
 3. SEE SYSTEM PROGRESSION CHART FOR CONNECTION DETAILS.

REVn	DATE	DETAILS	INITIAL
06	19.02.25	DRAWING UPDATED	H.B
05	08.12.21	NOTE ADDED TO PLAN	A.D
04	08.10.21	NOTE ADDED	A.D
03	23.07.21	DETAILS REVISED	A.D
02	09.11.20	DETAILS REVISED	M.T
01	20.04.17	REVISED TO COMMENTS	M.T
00	25.01.17	DRG. SUPERSEDES UK 19506	M.T

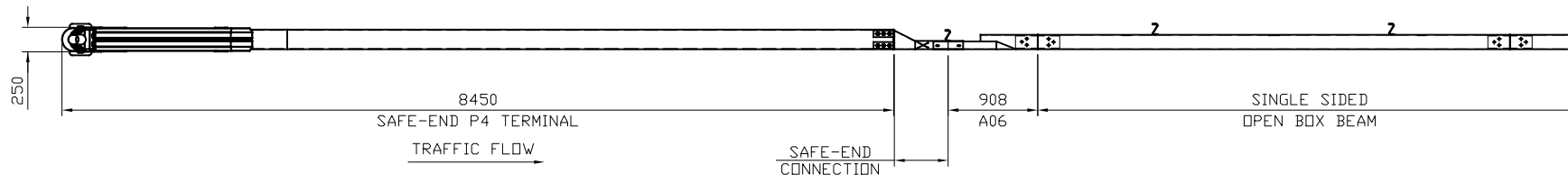
Safe-End P4

TO MEGARAIL
GENERAL ARRANGEMENT
& DETAIL

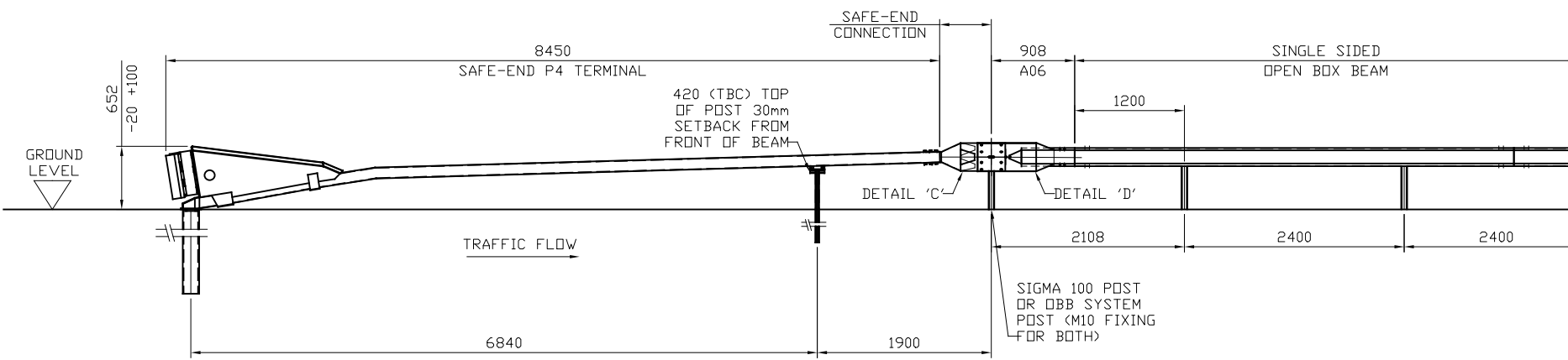


CONCORD HOUSE,
BESSEMER WAY, SCUNTHORPE,
NORTH LINCOLNSHIRE, DN15 8XE
t: 01724 289119
FOR TECHNICAL ASSISTANCE CONTACT
e: john.cudlipp@saferoad.co.uk

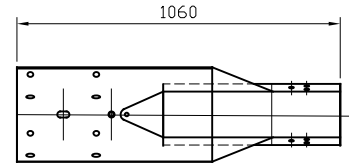
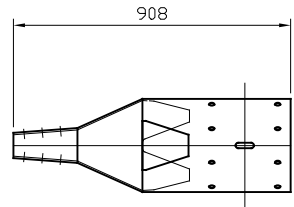
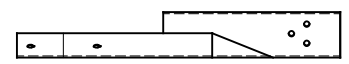
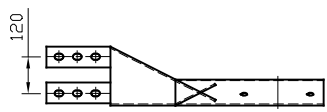
DRAWING NUMBER:	REVn:
P4-GA-01	06



PLAN VIEW
SCALE: 1:70



ELEVATION ON TRAFFIC FACE OF CONNECTION TO SINGLE SIDED OBB
SCALE: 1:70



DETAIL 'C'
(SAFE-END CONNECTOR)
SCALE: 1:25

DETAIL 'D'
(ITEM A06)
SCALE: 1:25

- GENERAL NOTES:**
- ALL DIMENSIONS IN MILLIMETRES UNLESS NOTED OTHERWISE.
 - FOR INSTALLATION PROCEDURES REFER TO SAFEROAD MANUAL.

03	19.02.25	DRAWING UPDATED	H.B
02	23.07.21	DETAILS REVISED	A.D
01	09.11.20	DETAILS REVISED	M.T
00	25.01.17	DRG. SUPERSEDES UK 19507	M.T
REVn	DATE	DETAILS	INITIAL

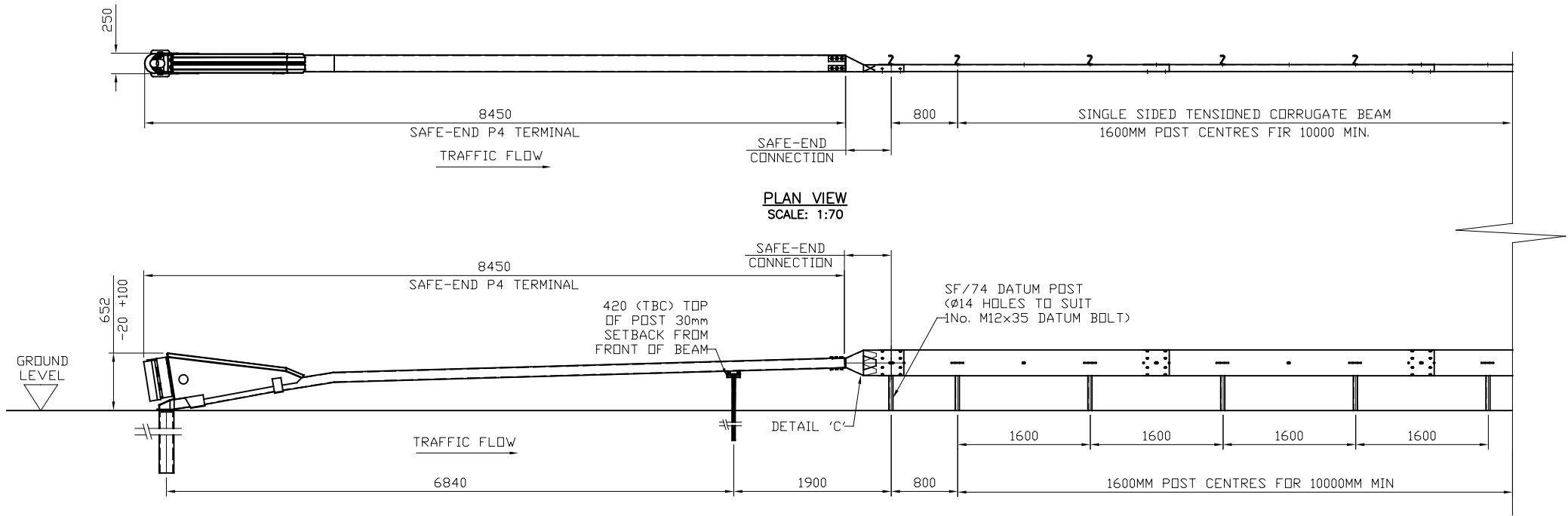
Safe-End P4

TO SINGLE SIDED OPEN BOX BEAM (OBB)
GENERAL ARRANGEMENT & DETAIL

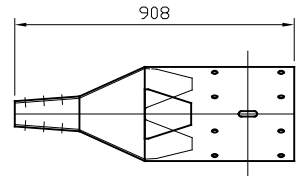
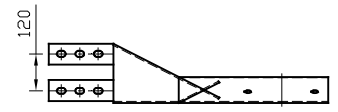


CONCORD HOUSE,
BESSEMER WAY, SCUNTHORPE,
NORTH LINCOLNSHIRE, DN15 8XE
t: 01724 289119
FOR TECHNICAL ASSISTANCE CONTACT
e: john.cudlipp@saferoad.co.uk

DRAWING NUMBER:	REVn:
P4-GA-02	03



ELEVATION ON TRAFFIC FACE OF CONNECTION TO SINGLE SIDED TCB
SCALE: 1:70



DETAIL 'C'
(SAFE-END CONNECTOR)
SCALE: 1:25

REVn	DATE	DETAILS	INITIAL
05	19.02.25	DRAWING UPDATED	H.B
04	30.01.24	DETAILS REVISED	H.B
03	23.07.21	DETAILS REVISED	A.D
02	09.11.20	DETAILS REVISED	M.T

Safe-End P4

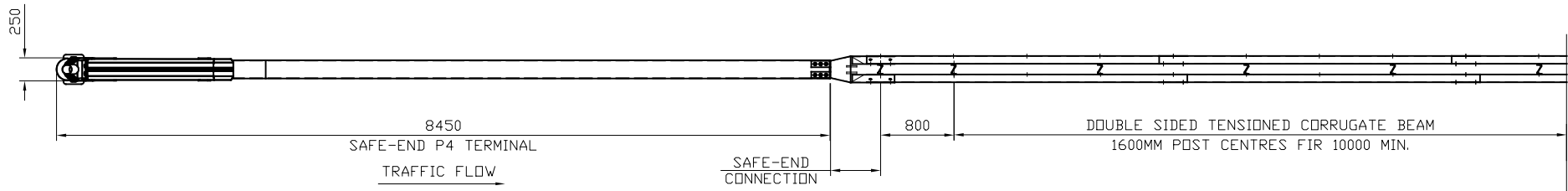
TO SINGLE SIDED TENSIONED CORRUGATE BEAM (TCB)
GENERAL ARRANGEMENT & DETAIL



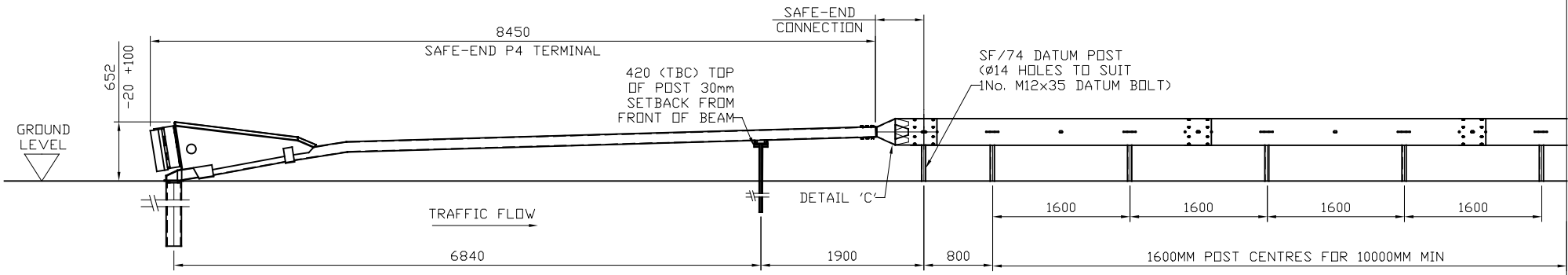
CONCORD HOUSE,
BESSEMER WAY, SCUNTHORPE,
NORTH LINCOLNSHIRE, DN15 8XE
t: 01724 289119
FOR TECHNICAL ASSISTANCE CONTACT
e: john.cudlipp@saferoad.co.uk

- GENERAL NOTES:**
- ALL DIMENSIONS IN MILLIMETRES UNLESS NOTED OTHERWISE.
 - FOR INSTALLATION PROCEDURES REFER TO SAFEROAD MANUAL.

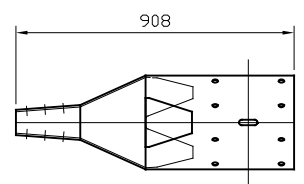
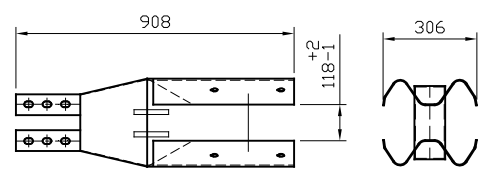
DRAWING NUMBER:	REVn
P4-GA-04	05



PLAN VIEW
SCALE: 1:70



ELEVATION ON TRAFFIC FACE OF
CONNECTION TO DOUBLE SIDED TCB
SCALE: 1:70



DETAIL 'C'
(SAFE-END CONNECTOR)
SCALE: 1:25

REVn	DATE	DETAILS	INITIAL
06	19.02.25	DRAWING UPDATED	H.B
05	30.01.24	DETAILS REVISED	H.B
04	26.07.21	PLAN & ELEVATION REVISED	A.D
03	09.11.20	DETAILS REVISED	M.T

Safe-End P4

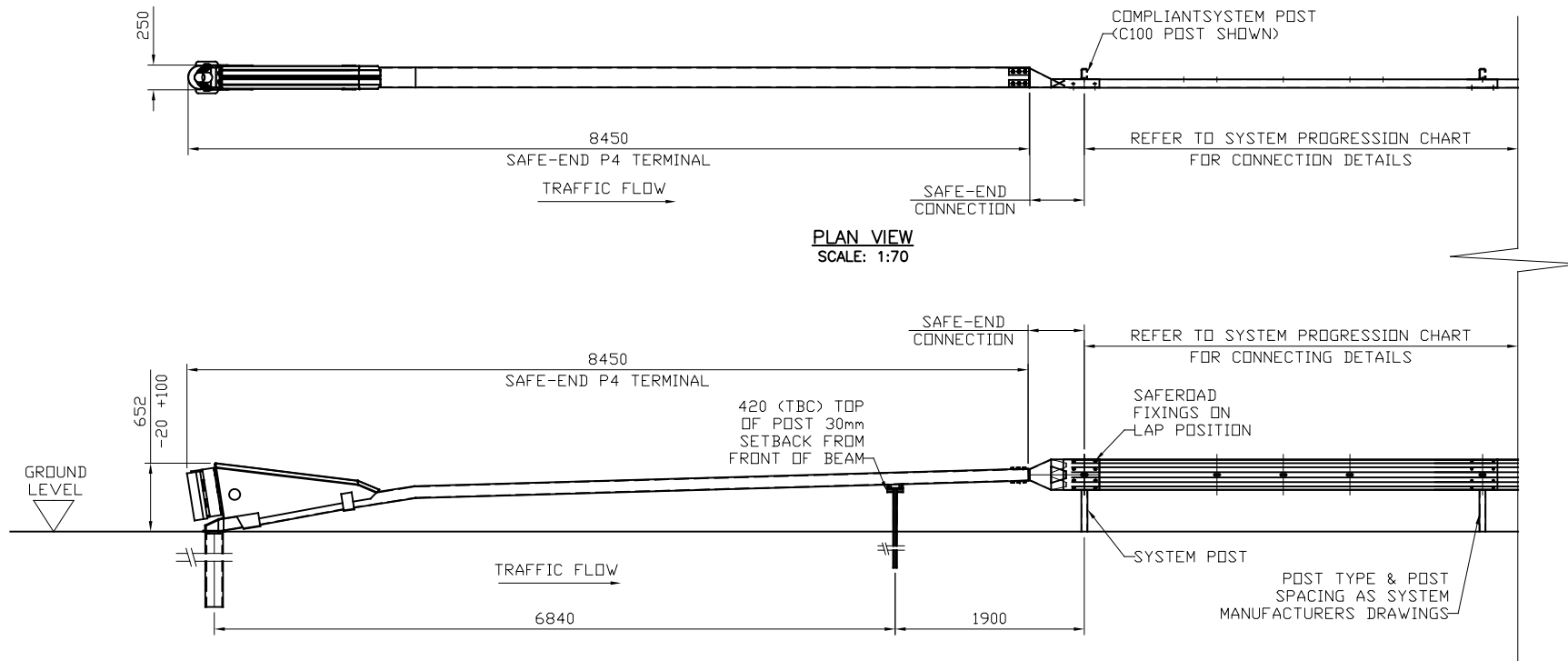
TO DOUBLE SIDED TENSIONED
CORRUGATE BEAM (TCB)
GENERAL ARRANGEMENT
& DETAIL



CONCORD HOUSE,
BESSEMER WAY, SCUNTHORPE,
NORTH LINCOLNSHIRE, DN15 8XE
t: 01724 289119
FOR TECHNICAL ASSISTANCE CONTACT
e: john.cudlipp@saferoad.co.uk

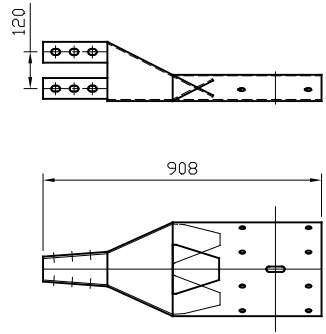
- GENERAL NOTES:
- ALL DIMENSIONS IN MILLIMETRES UNLESS NOTED OTHERWISE.
 - FOR INSTALLATION PROCEDURES REFER TO SAFEROAD MANUAL.

DRAWING NUMBER	REVn
P4-GA-05	06



PLAN VIEW
SCALE: 1:70

ELEVATION ON TRAFFIC FACE OF CONNECTION TO EN 1317 TESTED VRS SYSTEM
SCALE: 1:70



DETAIL 'C'
(SAFE-END CONNECTOR)
SCALE: 1:25

- GENERAL NOTES:**
1. ALL DIMENSIONS IN MILLIMETRES UNLESS NOTED OTHERWISE.
 2. FOR INSTALLATION PROCEDURES REFER TO SAFEROAD MANUAL.

REVn	DATE	DETAILS	INITIAL
03	19.02.25	DRAWING UPDATED	H.B
02	23.07.21	DETAILS REVISED	A.D
01	09.11.20	DETAILS REVISED	M.T
00	04.03.20	DRAWING CREATED	M.T

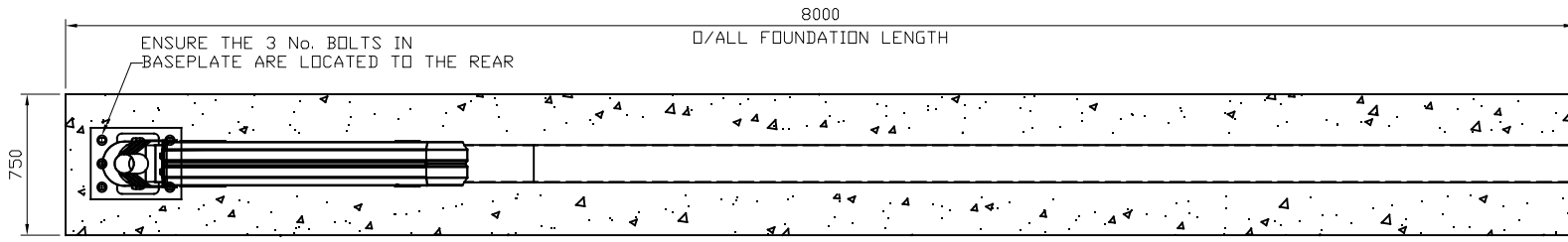
Safe-End P4

TO EN 1317 TESTED VRS SYSTEMS
GENERAL ARRANGEMENT & DETAIL

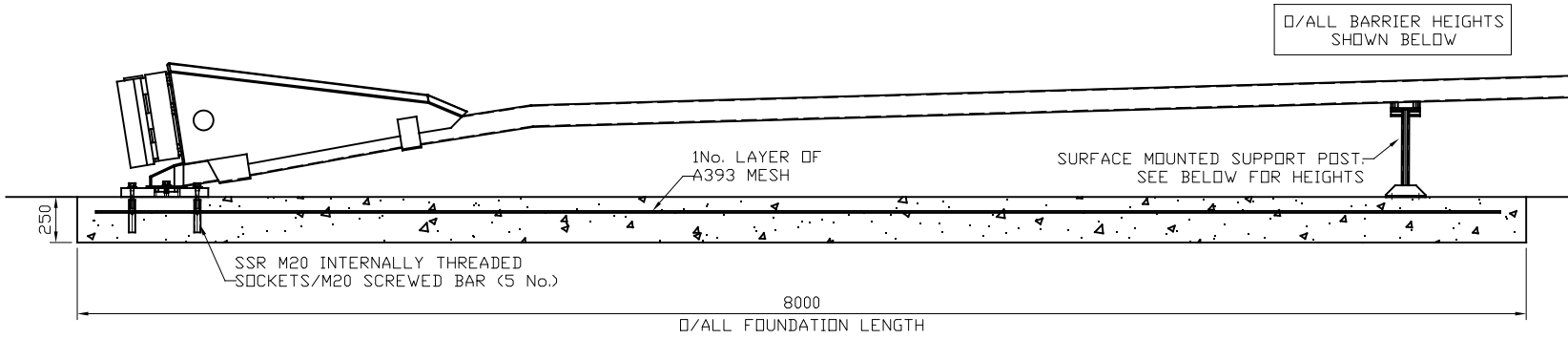


CONCORD HOUSE,
BESSEMER WAY, SCUNTHORPE,
NORTH LINCOLNSHIRE, DN15 8XE
t: 01724 289119
FOR TECHNICAL ASSISTANCE CONTACT
e: john.cudlipp@saferoad.co.uk

DRAWING NUMBER:	REVn
P4-GA-06	03

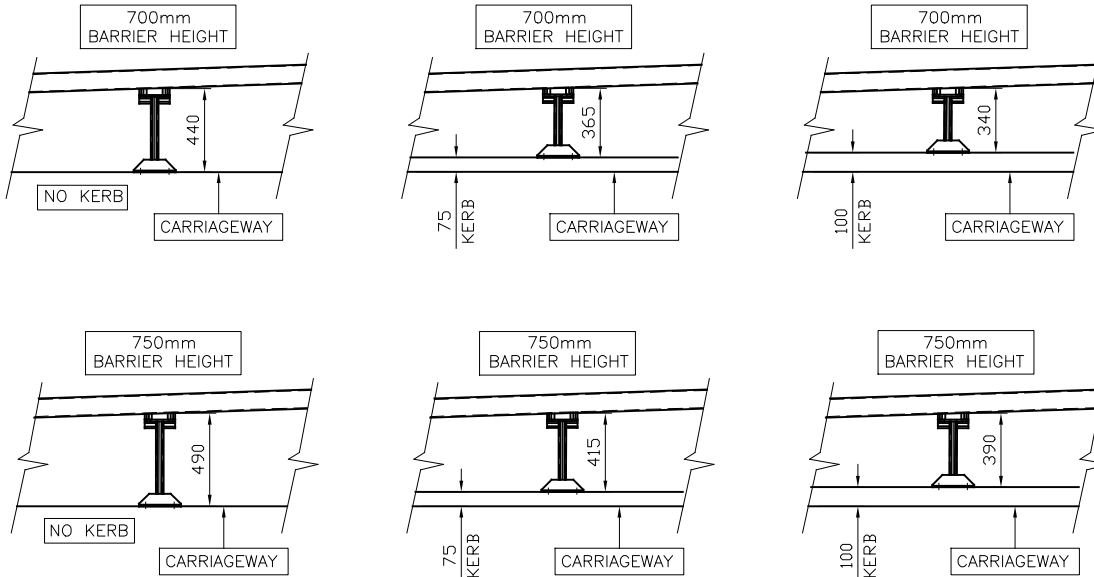


PLAN VIEW
SCALE: 1:70



ELEVATION ON SURFACE MOUNTED
SAFE-END P4 FOUNDATION DETAIL
SCALE: 1:70

- GENERAL NOTES:
1. ALL DIMENSIONS IN MILLIMETRES UNLESS NOTED OTHERWISE.
 2. FOR INSTALLATION PROCEDURES REFER TO SAFEROAD MANUAL.
 3. THIS FOUNDATION DETAIL IS APPLICABLE TO THE SURFACE MOUNTED ARRANGEMENT OF SAFE-END P4.
 4. FOUNDATION SIZE: 750mm WIDE x 250mm DEEP x 8000mm LONG.
 5. WHEN POSITIONING THE SURFACE MOUNTED BASEPLATE ENSURE THE ANCHOR BOLT HOLES ARE POSITIONED TO THE REAR OF THE SAFE-END AS SHOWN IN THIS DETAIL.



SURFACE MOUNTED SUPPORT POST HEIGHTS
BASED ON CONNECTING TO
700mm BARRIER HEIGHT

TEST LOAD FOR
GROUND ANCHORAGES:-80KN

SURFACE MOUNTED SUPPORT POST HEIGHTS
BASED ON CONNECTING TO
750mm BARRIER HEIGHT

03	19.02.25	DRAWING UPDATED	H.B
02	14.11.23	NOTE ADDED	H.B
01	13.05.22	SURFACE MOUNTED POST BASE CHANGED	A.D
00	17.04.20	DRAWING CREATED	M.T
REVn	DATE	DETAILS	INITIAL

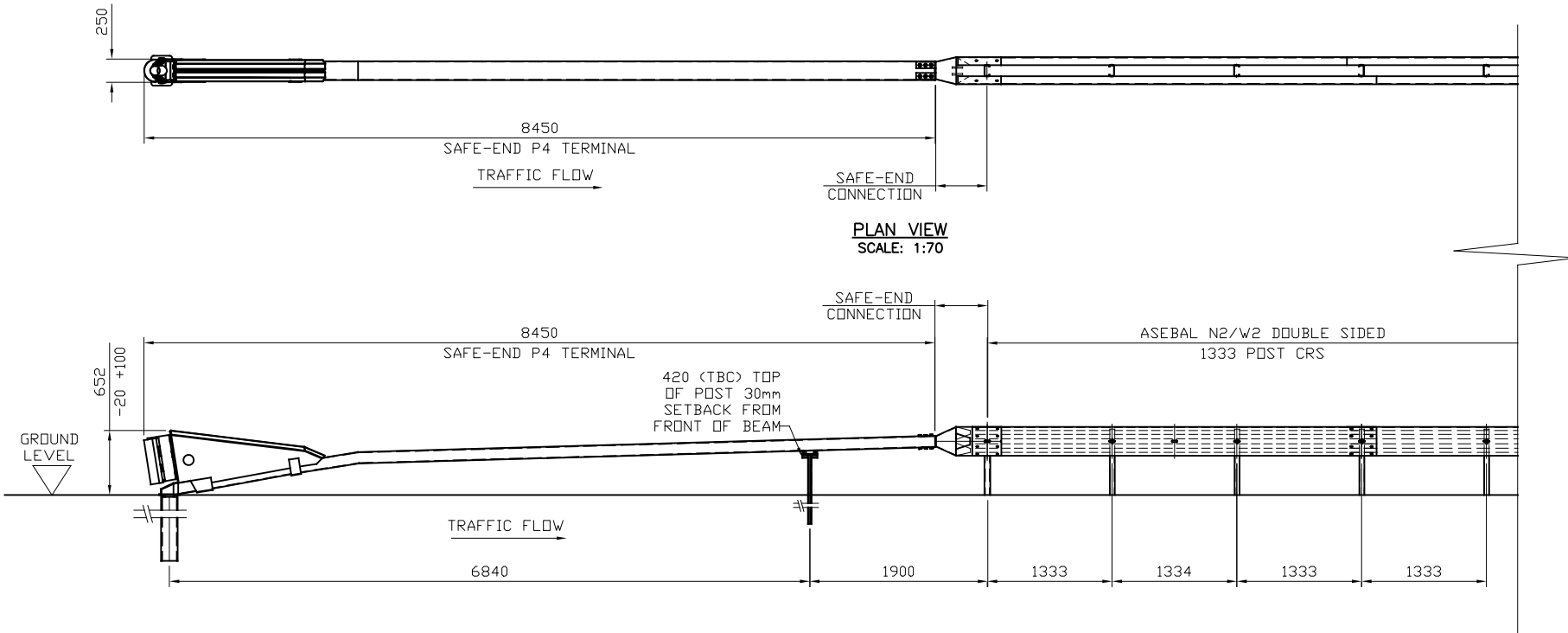
Safe-End P4

FOUNDATION DETAIL FOR
SURFACE MOUNTED SAFE-
END P4

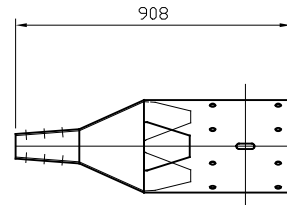
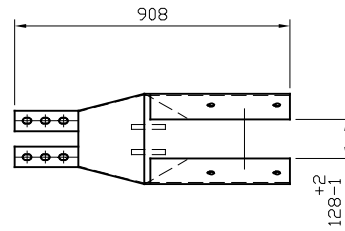


CONCORD HOUSE,
BESSEMER WAY, SCUNTHORPE,
NORTH LINCOLNSHIRE, DN15 8XE
t: 01724 289119
FOR TECHNICAL ASSISTANCE CONTACT
e: john.cudlipp@saferoad.co.uk

DRAWING NUMBER:	REVn:
P4-GA-07	03



ELEVATION ON TRAFFIC FACE OF
CONNECTION TO ASEBAL N2/W2 DOUBLE SIDED SYSTEM
SCALE: 1:70



DETAIL 'C'
(DOUBLE SIDED ASEBAL CONNECTOR)
SCALE: 1:25

- GENERAL NOTES:
1. ALL DIMENSIONS IN MILLIMETRES UNLESS NOTED OTHERWISE.
 2. FOR INSTALLATION PROCEDURES REFER TO SAFEROAD MANUAL.

REVn	DATE	DETAILS	INITIAL
02	19.02.25	DRAWING UPDATED	H.B
01	16.08.21	POSTS IN PLAN ROTATED	A.D
00	05.01.21	DRAWING CREATED	M.T

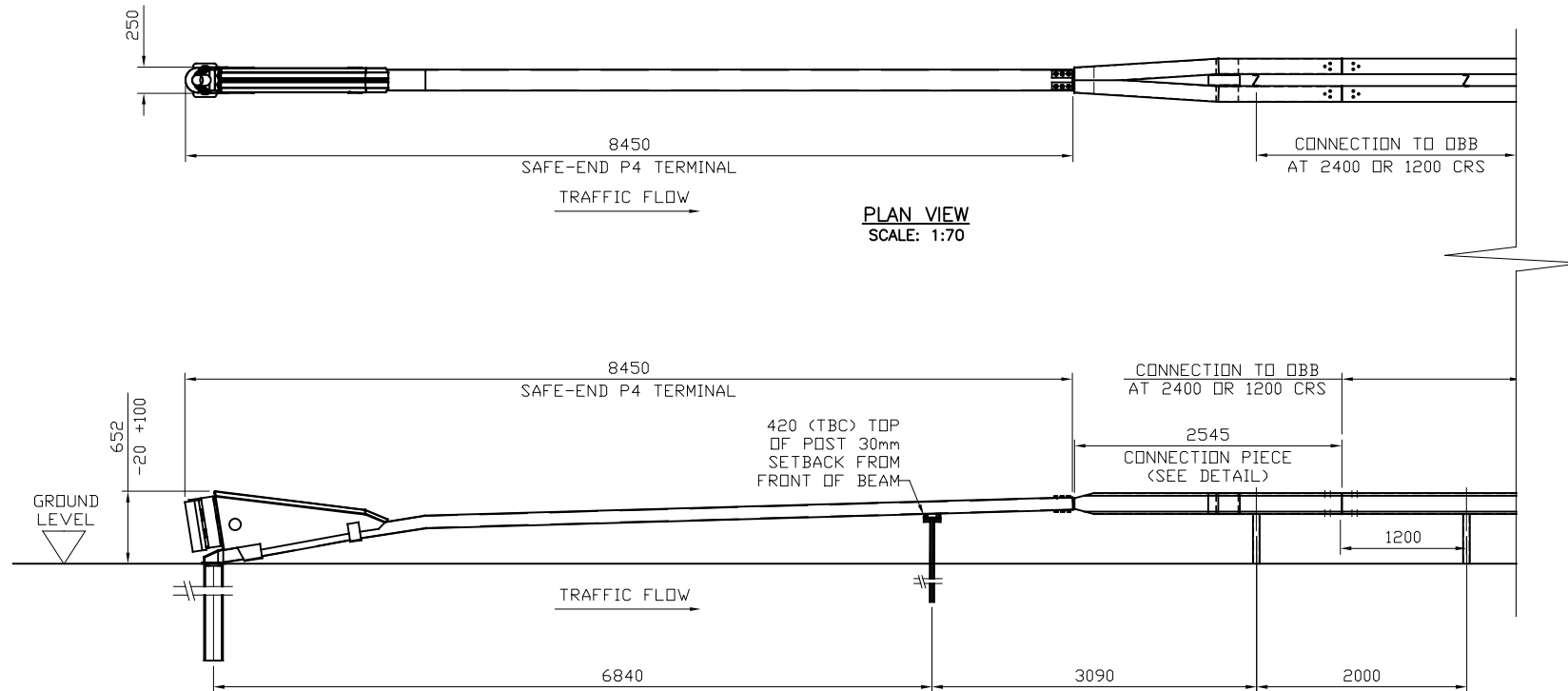
Safe-End P4

TO ASEBAL N2/W2 DOUBLE
SIDED
GENERAL ARRANGEMENT
& DETAIL

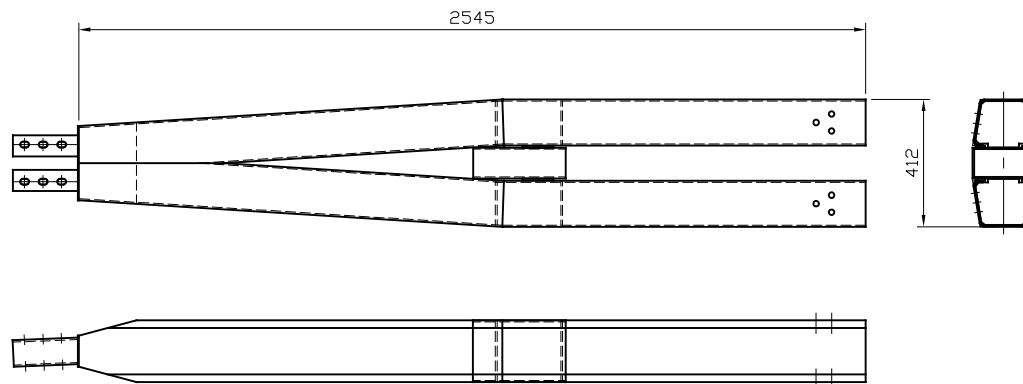


CONCORD HOUSE,
BESSEMER WAY, SCUNTHORPE,
NORTH LINCOLNSHIRE, DN15 8XE
t: 01724 289119
FOR TECHNICAL ASSISTANCE CONTACT
e: john.cudlipp@saferoad.co.uk

DRAWING NUMBER:	REVn
P4-GA-08	02



ELEVATION ON TRAFFIC FACE OF
CONNECTION TO DOUBLE SIDED OBB
SCALE: 1:70



CONNECTION DETAIL
SCALE: 1:25

- GENERAL NOTES:
1. ALL DIMENSIONS IN MILLIMETRES UNLESS NOTED OTHERWISE.
 2. FOR INSTALLATION PROCEDURES REFER TO SAFEROAD MANUAL.

01	19.02.25	DRAWING UPDATED	H.B
00	27.09.22	DRAWING CREATED	H.B

REVn	DATE	DETAILS	INITIAL
------	------	---------	---------

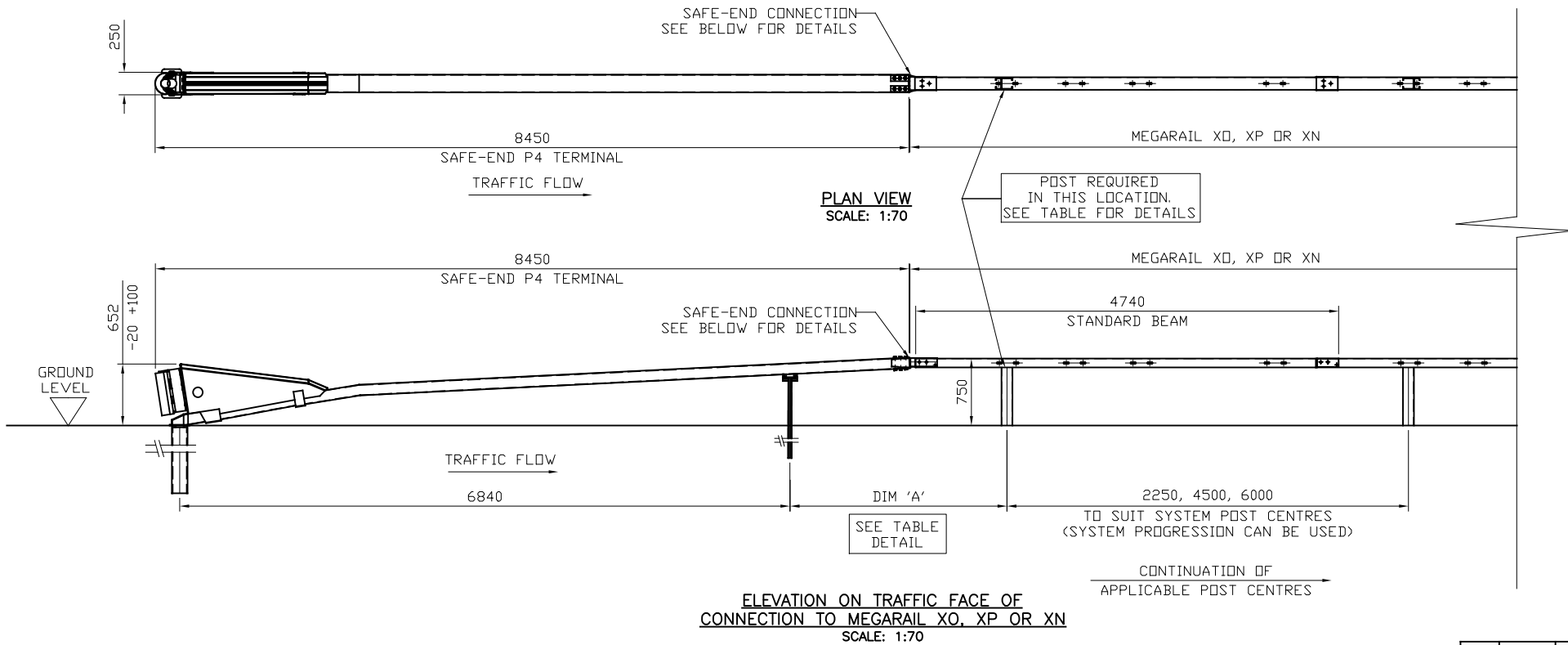
Safe-End P4

TO DOUBLE SIDED OPEN BOX
BEAM (OBB)
GENERAL ARRANGEMENT
& DETAIL

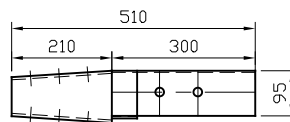
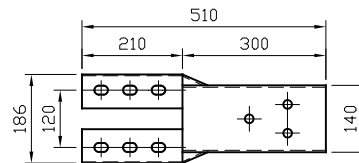
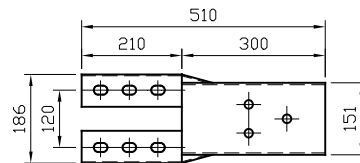


CONCORD HOUSE,
BESSEMER WAY, SCUNTHORPE,
NORTH LINCOLNSHIRE, DN15 8XE
t: 01724 289119
FOR TECHNICAL ASSISTANCE CONTACT
e: john.cudlipp@saferoad.co.uk

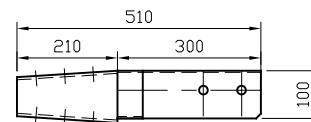
DRAWING NUMBER:	REVn:
P4-GA-09	01



CONNECTOR TYPE	DIM 'A'
TYPE 'A'	2430
TYPE 'B'	2115



TYPE 'A'
CONNECTION DETAIL
SCALE: 1:25



TYPE 'B'
CONNECTION DETAIL
SCALE: 1:25

GENERAL NOTES:

1. ALL DIMENSIONS IN MILLIMETRES UNLESS NOTED OTHERWISE.
2. FOR INSTALLATION PROCEDURES REFER TO SAFEROAD MANUAL
3. FOR DETAILS OF MEGARAIL XD, XP & XN, SEE RELEVANT GA DRAWINGS WITHIN MEGARAIL MANUAL
4. DIMENSION BETWEEN P4 SUPPORT POST & FIRST 'X' SYSTEM POST VARIES DEPENDING ON CONNECTOR TYPE (DUE TO RAIL ORIENTATION). SEE TABLE FOR FURTHER DETAILS

02	19.02.25	DRAWING UPDATED	H.B
01	16.05.24	DRAWING UPDATED	H.B
00	03.04.23	DRAWING CREATED	H.B
REVn	DATE	DETAILS	INITIAL

Safe-End P4

TO MEGARAIL XO, XP OR XN
GENERAL ARRANGEMENT &
DETAIL



CONCORD HOUSE,
BESSEMER WAY, SCUNTHORPE,
NORTH LINCOLNSHIRE, DN15 8XE
t: 01724 289119
FOR TECHNICAL ASSISTANCE CONTACT
e: john.cudlipp@saferoad.co.uk

DRAWING NUMBER:	REVn
P4-GA-10	02